



Art.6549

ist.125/A

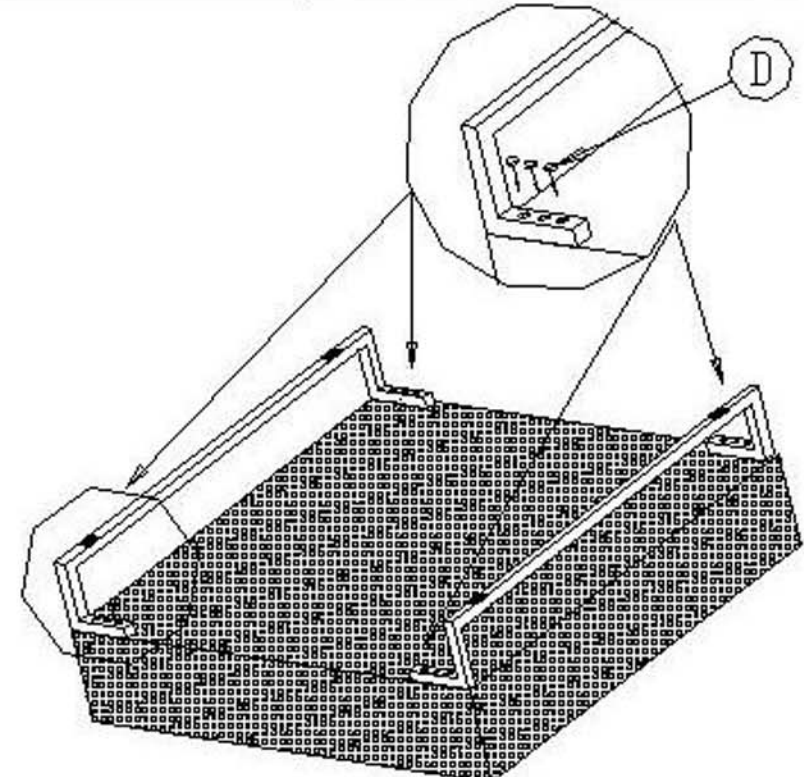
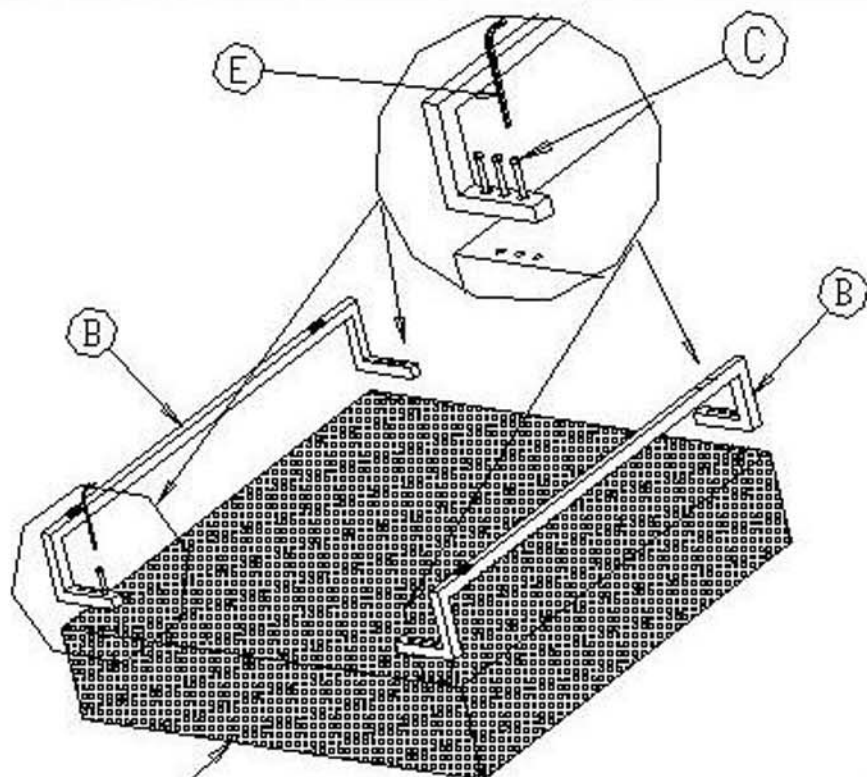
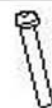
A X 1

B X 2

C X 12

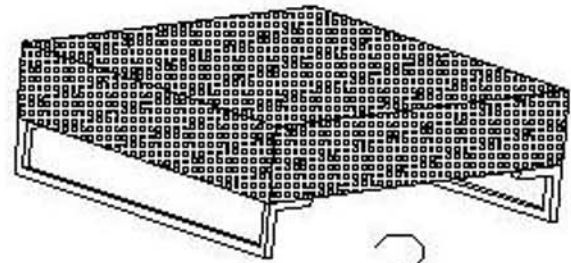
D X 12

E X



1

2



3